



Vial Cleaning System

Vial Cleaning System

The vial cleaning system provides the safest and most efficient method for cleaning PFA vials and labware. Molded from high purity PFA, the vial cleaning system is designed specifically for heated soaking, and is a superior, unbreakable alternative to glass beakers traditionally used for cleaning PFA labware. The vial cleaning system is fully enclosed which not only eliminates airborne contamination, but also prevents acid loss due to evaporation. A removable pour spout enables safe emptying of cleaning acid for easier removal of cleaned components.

Design Features

The vial cleaning system is designed to be used with most laboratory hotplates for safe and effective cleaning of PFA vials and labware by heated soaking in soap solution or acids. All wetted parts are molded from high purity PFA. When cleaning solution and components to be cleaned are placed inside the large 4 L cleaning container, the cleaning container lid is fitted and secured by hand with the sealing ring. A silicone grip mat (included) holds the cleaning container in place while the sealing ring is tightened or removed. The cleaning container lid features a unique vent port with a PTFE membrane, which prevents pressure build up during heating, while retaining acid vapor inside. The vial cleaning system can be heated at sub-boiling temperatures for days with negligible loss of liquid. This eliminates the need for continual monitoring and also saves on acid cost and is better for the environment.

Unlike glass beakers, the vial cleaning system is highly durable and will not crack or shatter if it is dropped even when full. A removable pour spout allows cleaning solution to be safely drained and enables cleaned contents to be removed safely.

The vial cleaning system is resistant to all mineral acids and can be used to clean components at or close to the boiling point of dilute acids.



System Components

The vial cleaning system comprises of the following parts:

- Cleaning Container
- Cleaning Container Lid
- ½" Cap Nut, Cleaning System
- ¼" Vent Nut Assembly
- Sealing Ring
- Pour Spout Assembly
- Silicone Grip Mat

Maximum Working Temperature

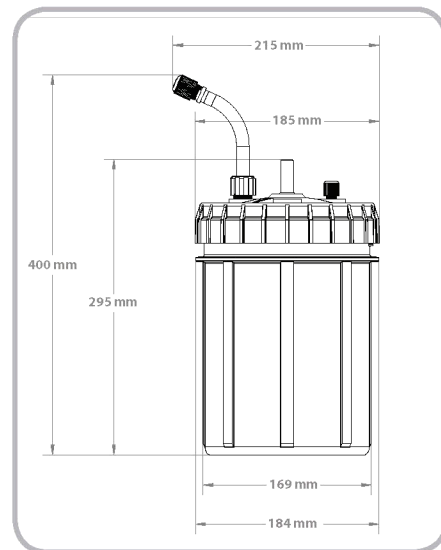
Do not use a vial cleaning system on a hotplate surface above 450°F (230°C). Exceeding this temperature may cause irreversible damage to the vial cleaning system.

Specifications

Description	Size
Cleaning Container Diameter with Lid	185 mm (7.28 in)
Cleaning Container Diameter with Pour Spout	215 mm (8.46 in)
Cleaning Container Height with Lid	295 mm (11.61 in)
Cleaning Container Height with Pour Spout	400 mm (15.75 in)
Brim Capacity	4,500 mL (1.2 gal)
Empty Weight with Pour Spout	2,100 g (4.63 lbs)

Ordering Information

Description	Part #
Vial Cleaning System	550-01



Safety

The vial cleaning system is not a pressure vessel. The vent port must not be sealed during heating and heating must be performed inside a fume hood with adequate ventilation. The vial cleaning system should not be used on a hot plate without liquid inside since the cleaning container can be damaged if the hot plate is set to a high temperature.