

## Stability Vials for Biopharma

Savillex offers a range of PFA stability vials in support of biopharmaceutical process validation through stability testing programs. These stability vials are produced using the exact same resin manufacturer and resin grade as our Purillex PFA biopharma bottles to support regulatory filing. Savillex stability vials also come with full manufacturing lot certification.

### Design Features

Savillex stability vials and closures are injection molded from virgin PFA, using the same resin grade as the Purillex bottles used for storage and transport of API and intermediates. Available in 3 mL, 7 mL and 15 mL sizes, these vials are suitable for a wide range of stability test protocols, and minimize the usage of valuable bulk drug substance for testing and validation. Stability vials are also perfect for lot retention. Injection molding produces excellent thread quality and avoids the need for secondary machining of the vial lip, greatly reducing the risk of particulate contamination. A high integrity seal is ensured, without the need for secondary seals or inserts. All vials are round bottomed for ease of extracting contents. A single grade of virgin PFA resin is used to mold all vials and closures so only one material contacts the sample, the exact same grade of PFA resin used to manufacture Purillex bottles for biopharma use. This unique feature greatly simplifies validation testing when Savillex bottles are used.

Savillex stability vials can easily withstand temperatures down to blast freeze conditions (-70°C), while maintaining seal integrity.

### Working Temperature Range

PFA: -328°F to 500°F (-200°C to 260°C)

FEP: -328°F to 392°F (-200°C to 200°C)



Stability Vials



3 mL Stability Vial



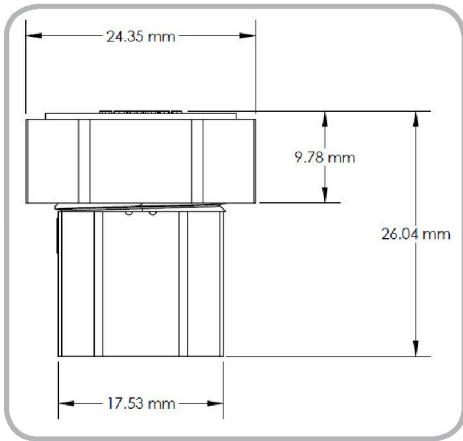
7 mL Stability Vial



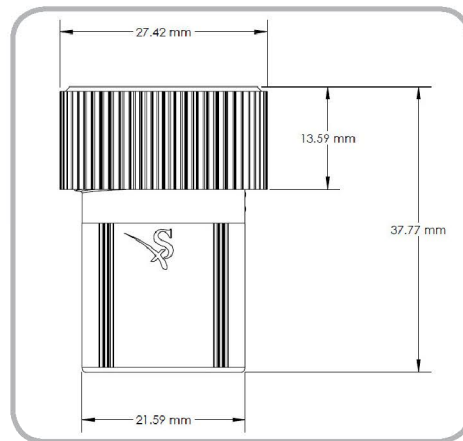
15 mL Stability Vial

# Stability Vials for Biopharma

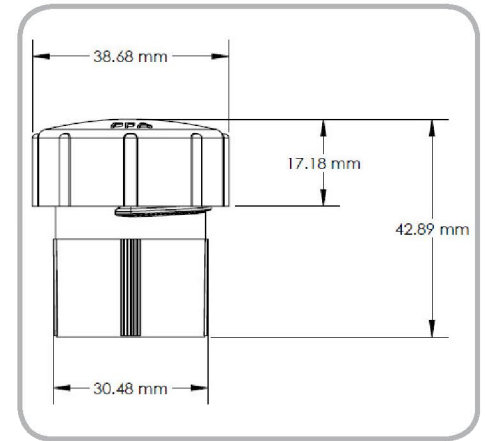
Savillex Data Sheet



3 mL PFA Stability Vial  
23 mm PFA Closure



7 mL PFA Stability Vial  
24 mm PFA Closure



15 mL PFA Stability Vial  
33 mm PFA Closure with Lugs

## Ordering Information

Vial Part #	Description	Applicable Closure Part #	Description	Minimum Order Qty
270-003-20	3 mL PFA stability vial, octagonal body, rounded interior	670-023-01	23 mm PFA closure	300
270-007-20	7 mL PFA stability vial, rounded interior	670-024-01	24 mm PFA closure	300
270-015-20	15 mL PFA stability vial, rounded interior	670-033-01	33 mm PFA closure with lugs	300

Note:

Closures sold separately.

Savillex stability vials are also available in FEP by special order.